

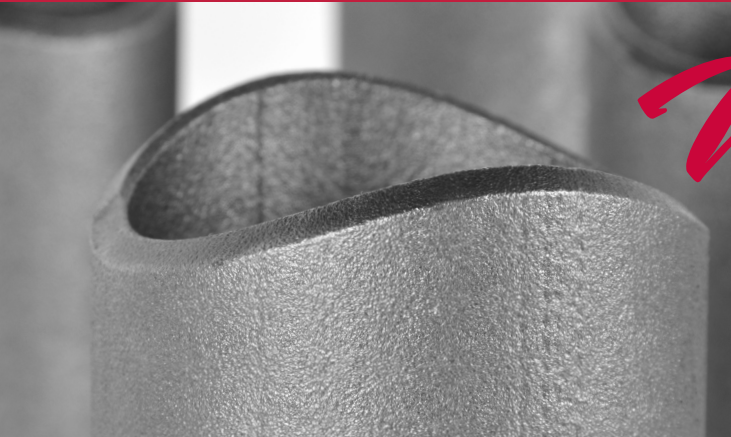
Whizweld® BRANCHLET® WELDING OUTLET

- **A WELDING OUTLET FITTING RATED FOR 300 PSI** and up to 500 psi for non-fire sprinkler applications.
- **QUALIFIED** to be welded on various proprietary thin wall flow pipe as well as industry standard pipe schedules 10 and 40.
- **CLEANED & PROTECTED.** Shot blasted and/or washed to reduce weld porosity thereby improving job quality and lowering fabrication costs. Coated with a proprietary smokeless non-flash rust inhibitor for improved shelf life.
- **MATERIAL SAVING.** The Whizweld® bevel design reduces the amount of weld material needed.
- **UL LISTED** in accordance to UL 213B with qualifying tests up to 1500psi.
- **FM APPROVED** in accordance to FM Class 1920 with qualifying tests up to 1200psi.
- **PRECISION MANUFACTURED** from highly weldable carbon steel conforming to ASTM 1010, A-53, A135 or A795. The contour, threaded and/or grooved ends are produced on automated precision equipment for superior dimensional accuracy and quality consistency.
- **FULLY TRACEABLE** with complete identifying marks including a lot number for full material traceability and overall quality assurance.
- **THREADED OR GROOVED.** Outlets are available with ANSI B1.20.1 NPT threads, Victaulic® IGS™, or OGS cut or roll grooves.



Whizweld®

The **Whizweld®** bevel design sits squarely on the header for unproblematic one pass welds on automatic welding equipment. Furthermore, the inside diameter is sized to insure the welding cone fits without obstruction.



319 Circle of Progress
Pottstown, Pennsylvania 19464-3811 USA
Tel **(610)676.0300** Fax **(610)676.0383**

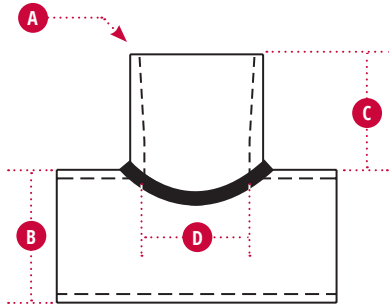
Additional details and installation instructions at AegisTechnologiesInc.com/Branchlet

AUTHORIZED DISTRIBUTOR

Whizweld® BRANCHLET® WELDING OUTLET



TYPE 3F NPT THREADED OUTLET



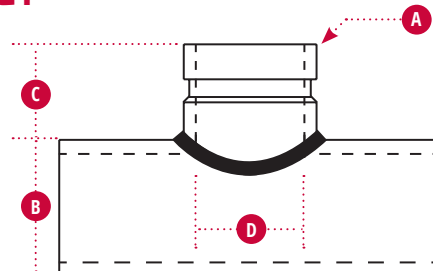
PART #	OUTLET A IN	HEADER B IN	OUTLET LENGTH C IN	INSIDE DIA. D IN	WEIGHT LBS	BOX QUANTITY
TYPE 3F NPT THREADED						
90301212	1.25 x	1.25	1.375	1.47	0.41	70
90301215		1.5 - 2	1.375	1.47	0.41	70
90301220		2 - 2.5	1.375	1.47	0.40	70
90301225		2.5 - 3"	1.375	1.47	0.40	70
90301230		3 - 4	1.375	1.47	0.39	70
90301240		4	1.375	1.47	0.39	70
90301250		5 - 8	1.375	1.47	0.39	70
90301515	1.5 x	1.5	1.625	1.61	0.51	50
90301520		2	1.625	1.61	0.50	50
90301525		2.5	1.625	1.61	0.50	50
90301530		3 - 4	1.625	1.61	0.49	50
90301540		4	1.625	1.61	0.48	50
90301550		5 - 8	1.625	1.61	0.48	50
90302020	2 x	2	1.75	2.067	0.83	25
90302025		2.5	1.75	2.067	0.82	25
90302030		3	1.75	2.067	0.80	25
90302040		4	1.75"	2.067	0.79	25
90302060		6	1.75	2.067	0.77	25
90302080		8	1.75	2.067	0.75	25
90302525	2.5 x	2.5	2.125	2.469	1.25	35
90302530		3	2.125	2.469	1.20	35
90302540		4	2.125	2.469	0.92	35
90302560		6	2.125	2.469	0.92	35
90302580		8	2.125	2.469	0.92	35

PART #	OUTLET A IN	HEADER B IN	OUTLET LENGTH C IN	INSIDE DIA. D IN	WEIGHT LBS	BOX QUANTITY
TYPE 3F NPT THREADED						
90300512	0.5 x	1.25 - 1.5	1.0625	0.7	0.13	325
90300515		1.5 - 2	1.0625	0.7	0.13	325
90300520		2 - 2.5	1.0625	0.7	0.14	325
90300525		2.5 - 8	1.0625	0.7	0.14	325
90300712	0.75 x	1.25 - 1.5	1.125	0.9	0.21	200
90300715		1.5 - 2	1.125	0.9	0.21	200
90300720		2 - 2.5	1.125	0.9	0.21	200
90300725		2.5 - 8	1.125	0.9	0.20	200
90301012	1 x	1.25 - 1.5	1.25	1.145	0.31	125
90301012R		1.25 Special	1.25	1.145	0.31	125
90301015		1.5 - 2	1.25	1.145	0.30	125
90301015R		1.5 Special	1.25	1.145	0.30	125
90301020		2 - 2.5	1.25	1.145	0.29	125
90301025		2.5 - 3	1.25	1.145	0.29	125
90301030		3 - 4	1.25	1.145	0.29	125
90301050		5 - 8	1.25	1.145	0.28	125

TYPE 3V VICTAULIC® IGS™ GROOVED OUTLET

PART #	OUTLET A IN	HEADER B IN	OUTLET LENGTH C IN	INSIDE DIA. D IN	WEIGHT LBS	BOX QUANTITY
TYPE 3V IGS™ GROOVED						
90321012	1 x	1.25 - 1.5	1	1.05	0.15	200
90321015		1.5 - 2	1	1.05	0.15	200
90321020		2 - 2.5	1	1.05	0.15	200
90321025		2.5 - 3	1	1.05	0.15	200
90321030		3 - 4	1	1.05	0.15	200

Victaulic® and IGS® are trademarks of Victaulic Company, and are used with permission.

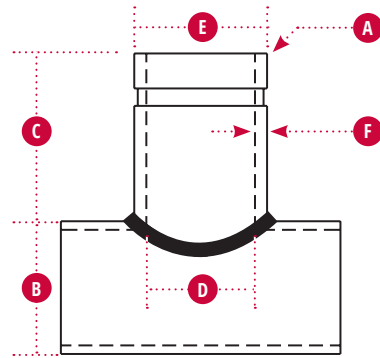


319 Circle of Progress, Pottstown, Pennsylvania 19464-3811 USA Tel (610)676.0300 Fax (610)676.0383 AegisTechnologiesInc.com

Additional details and installation instructions at AegisTechnologiesInc.com/Branchlet

© Aegis Technologies, Inc. All Rights Reserved. | AEGIS-BRANCH-0624

Whizweld® BRANCHLET® WELDING OUTLET



TYPE 3G & 3RG OGS GROOVED OUTLET

PART #	OUTLET		HEADER	OUTLET LENGTH	INSIDE DIAMETER		OUTSIDE DIAMETER	WALL THICKNESS		WEIGHT		BOX QUANTITY	
	A	NOMINAL			B	C		SCH 40	SCH 10	D	F		SCH 40
SCH 40 TYPE 3G CUT GRVD	SCH 10 TYPE 3RG ROLL GRVD	IN	IN	IN	IN	IN	IN	IN	IN	LBS	LBS		
90351012		1	x	1.25 - 1.5	3	1.050		1.315	0.133		0.40	50	
90351015				1.5 - 2	3	1.050		1.315	0.133		0.40	50	
90351020				2 - 2.5	3	1.050		1.315	0.133		0.40	50	
90351025				2.5 - 4	3	1.050		1.315	0.133		0.40	50	
90351050				5 - 8	3	1.050		1.315	0.133		0.40	50	
90351212	1.25	x		1.25	3	1.380		1.660	0.140		0.56	80	
90351215				1.5	3	1.380		1.660	0.140		0.56	80	
90351220				2 - 2.5	3	1.380		1.660	0.140		0.55	80	
90351225				2.5	3	1.380		1.660	0.140		0.55	80	
90351230				3 - 4	3	1.380		1.660	0.140		0.54	80	
90351240				4	3	1.380		1.660	0.140		0.54	80	
90351250				5 - 8	3	1.380		1.660	0.140		0.53	80	
90351515	1.5	x		1.5	3	1.610		1.900	0.145		0.61	50	
90351520				2	3	1.610		1.900	0.145		0.62	50	
90351525				2.5	3	1.610		1.900	0.145		0.63	50	
90351530				3 - 4	3	1.610		1.900	0.145		0.63	50	
90351540				4	3	1.610		1.900	0.145		0.64	50	
90351550				5 - 8	3	1.610		1.900	0.145		0.65	50	
90352020	2	x		2	3	2.067		2.375	0.154		0.90	30	
90352025				2.5	3	2.067		2.375	0.154		0.87	30	
90352030				3	3	2.067		2.375	0.154		0.86	30	
90352040				4	3	2.067		2.375	0.154		0.85	30	
90352060				6	3	2.067		2.375	0.154		0.84	30	
90352080				8	3	2.067		2.375	0.154		0.83	30	
90352525	2.5	x		2.5	3	2.469		2.875	0.203		1.49	20	
90352530				3	3	2.469		2.875	0.203		1.48	20	
90352540				4	3	2.469		2.875	0.203		1.47	20	
90352560				6	3	2.469		2.875	0.203		1.46	20	
90352580				8	3	2.469		2.875	0.203		1.44	20	
90353030	3	x		3	3	3.068		3.500	0.216		1.98	15	
90353040				4	3	3.068		3.500	0.216		1.90	15	
90353060				6	3	3.068		3.500	0.216		1.82	15	
90353080				8	3	3.068		3.500	0.216		1.73	15	
90354040	4	x		4	4	4.026		4.500	0.237		3.62	10	
90354060				6	4	4.026		4.500	0.237		3.52	10	
90354080				8	4	4.026		4.500	0.237		3.41	10	
90354091*				10	4	4.026		4.500	0.237		3.30	10	
90354092*				12	4	4.026		4.500	0.237		3.80	10	
90356060	90376060	6	x	6	4	6.065	6.357	6.625	0.280	0.134	6.93	3.8	4
90356080	90376080			8	4	6.065	6.357	6.625	0.280	0.134	6.63	3.8	4
90356091*				10	4	6.065		6.625	0.280		6.33		4
90356092*				12	4	6.065		6.625	0.280		6.03		4
90358080	90378080	8	x	8	4	7.981	8.329	8.625	0.322	0.148	10.75	6.2	2
90358091*				10	4	7.981		8.625	0.322		9.88		2
90358092*				12	4	7.981		8.625	0.322		9.00		2
90359191*		10	x	10	5	10.020		10.750	0.365		20.73		1
90359192*				12	5	10.020		10.750	0.365		19.61		1

* Size not UL Listed or FM Approved.

319 Circle of Progress, Pottstown, Pennsylvania 19464-3811 USA Tel (610)676.0300 Fax (610)676.0383 AegisTechnologiesInc.com

Additional details and installation instructions at AegisTechnologiesInc.com/Branchlet

© Aegis Technologies, Inc. All Rights Reserved. | AEGIS-BRANCH-0624