

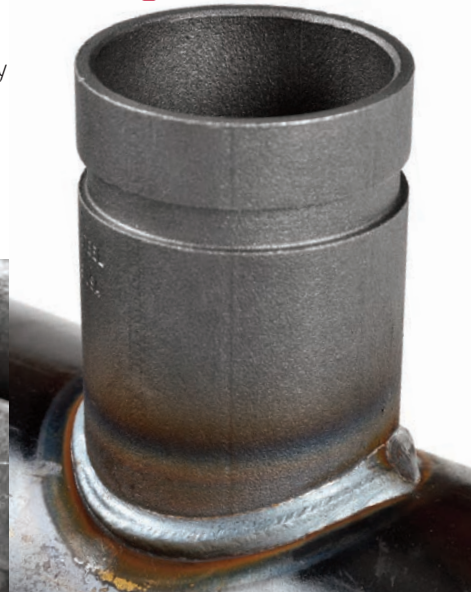
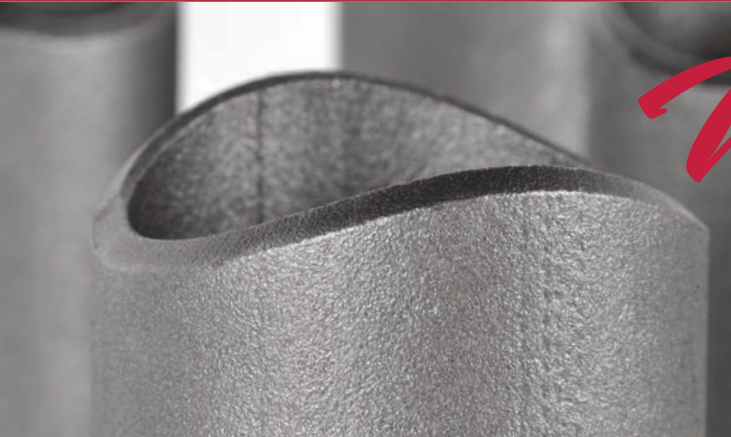
# Whizweld® BRANCHLET® WELDING OUTLET

- **A WELDING OUTLET FITTING RATED FOR 300 PSI** and up to 500 psi for non-fire sprinkler applications.
- **QUALIFIED** to be welded on various proprietary thin wall flow pipe as well as industry standard pipe schedules 10 and 40.
- **CLEANED & PROTECTED.** Shot blasted and/or washed to reduce weld porosity thereby improving job quality and lowering fabrication costs. Coated with a proprietary smokeless non-flash rust inhibitor for improved shelf life.
- **MATERIAL SAVING.** The Whizweld® bevel design reduces the amount of weld material needed.
- **UL LISTED** in accordance to UL 213B with qualifying tests up to 1500psi.
- **FM APPROVED** in accordance to FM Class 1920 with qualifying tests up to 1200psi.
- **PRECISION MANUFACTURED** from highly weldable carbon steel conforming to ASTM 1010, A-53, A135 or A795. The contour, threaded and/or grooved ends are produced on automated precision equipment for superior dimensional accuracy and quality consistency.
- **FULLY TRACEABLE** with complete identifying marks including a lot number for full material traceability and overall quality assurance.
- **THREADED OR GROOVED.** Outlets are available with ANSI B1.20.1 NPT threads, Victaulic® **IGS**®, or OGS cut or roll grooves.



## Whizweld®

The **Whizweld®** bevel design sits squarely on the header for unproblematic one pass welds on automatic welding equipment. Furthermore, the inside diameter is sized to insure the welding cone fits without obstruction.



319 Circle of Progress  
Pottstown, Pennsylvania 19464-3811 USA  
Tel (610)676.0300 Fax (610)676.0383

Additional details and installation instructions at [AegisTechnologiesInc.com/Branchlet](http://AegisTechnologiesInc.com/Branchlet)

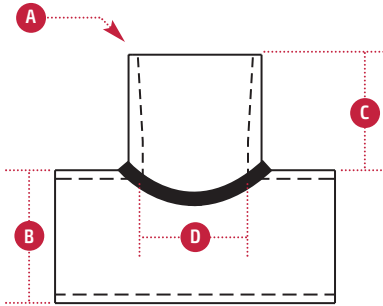
AUTHORIZED DISTRIBUTOR

# Whizweld® BRANCHLET®

WELDING OUTLET



## TYPE 3F NPT THREADED OUTLET



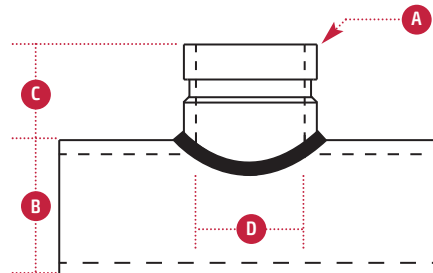
PART # TYPE 3F NPT THREADED	OUTLET A IN	HEADER B IN	OUTLET LENGTH C IN	INSIDE DIA. D IN	WEIGHT LBS	BOX QUANTITY
90301212	1.25 x	1.25	1.375	1.47	0.43	70
90301215		1.5 - 2	1.375	1.47	0.42	70
90301220		2 - 2.5	1.375	1.47	0.42	70
90301225		2.5 - 3	1.375	1.47	0.41	70
90301230		3 - 4	1.375	1.47	0.39	70
90301240		4	1.375	1.47	0.39	70
90301250		5 - 8	1.375	1.47	0.39	70
90301515	1.5 x	1.5	1.625	1.61	0.48	50
90301520		2	1.625	1.61	0.48	50
90301525		2.5	1.625	1.61	0.47	50
90301530		3 - 4	1.625	1.61	0.47	50
90301540		4	1.625	1.61	0.47	50
90301550		5 - 8	1.625	1.61	0.47	50
90302020	2 x	2	1.75	2.067	0.86	25
90302025		2.5	1.75	2.067	0.83	25
90302030		3	1.75	2.067	0.83	25
90302040		4	1.75	2.067	0.8	25
90302060		6	1.75	2.067	0.74	25
90302080		8	1.75	2.067	0.74	25
90302525	2.5 x	2.5	2.125	2.469	1.25	35
90302530		3	2.125	2.469	1.2	35
90302540		4	2.125	2.469	1.15	35
90302560		6	2.125	2.469	1.15	35
90302580		8	2.125	2.469	1.15	35
90303030	3 x	3	2.5	3.068	3.1	20
90303040		4	2.5	3.068	3.1	20
90303060		6	2.5	3.068	3.1	20
90303080		8	2.5	3.068	3.1	20
90304040	4 x	4	3	4.026	5	10
90304060		6	3	4.026	5	10
90304080		8	3	4.026	5	10

PART # TYPE 3F NPT THREADED	OUTLET A IN	HEADER B IN	OUTLET LENGTH C IN	INSIDE DIA. D IN	WEIGHT LBS	BOX QUANTITY
90300512	0.5 x	1.25 - 1.5	1.063	0.7	0.18	325
90300515		1.5 - 2	1.063	0.7	0.18	325
90300520		2 - 2.5	1.063	0.7	0.18	325
90300525		2.5 - 8	1.063	0.7	0.18	325
90300712	0.75 x	1.25 - 1.5	1.125	0.9	0.32	200
90300715		1.5 - 2	1.125	0.9	0.32	200
90300720		2 - 2.5	1.125	0.9	0.32	200
90300725		2.5 - 8	1.125	0.9	0.32	200
90301012	1 x	1.25 - 1.5	1.25	1.145	0.44	125
90301015		1.5 - 2	1.25	1.145	0.44	125
90301020		2 - 2.5	1.25	1.145	0.44	125
90301025		2.5 - 3	1.25	1.145	0.44	125
90301030		3 - 4	1.25	1.145	0.44	125
90301050		5 - 8	1.25	1.145	0.44	125

## TYPE 3V VICTAULIC® IGS™ GROOVED OUTLET

PART # TYPE 3V IGS GROOVED	OUTLET A IN	HEADER B IN	OUTLET LENGTH C IN	INSIDE DIA. D IN	WEIGHT LBS	BOX QUANTITY
90321012	1 x	1.25 - 1.5	1	1.05	0.15	200
90321015		1.5 - 2	1	1.05	0.15	200
90321020		2 - 2.5	1	1.05	0.15	200
90321025		2.5 - 3	1	1.05	0.15	200
90321030		3 - 4	1	1.05	0.15	200

Victaulic® and IGS® are trademarks of Victaulic Company, and are used with permission.



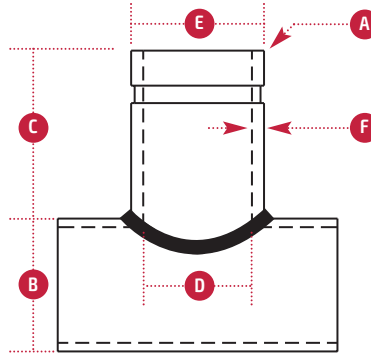
319 Circle of Progress, Pottstown, Pennsylvania 19464-3811 USA Tel. [610]676.0300 Fax [610]676.0383 [AegisTechnologiesInc.com](http://AegisTechnologiesInc.com)

# Whizweld® BRANCHLET®

WELDING OUTLET



## TYPE 3G & 3RG OGS GROOVED OUTLET



PART #		OUTLET	HEADER	OUTLET LENGTH	INSIDE DIAMETER		OUTSIDE DIAMETER	WALL THICKNESS		WEIGHT		BOX
SCH 40	SCH 10	A	B	C	SCH 40	SCH 10	E	SCH 40	SCH 10	SCH 40	SCH 10	QUANTITY
TYPE 3G	TYPE 3RG	NOMINAL			D			F		LBS	LBS	
CUT GRVD	ROLL GRVD	IN	IN	IN	IN	IN	IN	IN	IN			
90351012		1	x	1.25 - 1.5	3	1.05	1.315	0.133		0.4		
90351015				1.5 - 2	3	1.05	1.315	0.133		0.4		
90351020				2 - 2.5	3	1.05	1.315	0.133		0.4		
90351025				2.5 - 4	3	1.05	1.315	0.133		0.4		
90351050				5 - 8	3	1.05	1.315	0.133		0.4		
90351212		1.25	x	1.25	3	1.380	1.660	0.140		0.6		80
90351215				1.5	3	1.380	1.660	0.140		0.6		80
90351220				2 - 2.5	3	1.380	1.660	0.140		0.6		80
90351225				2.5	3	1.380	1.660	0.140		0.6		80
90351230				3 - 4	3	1.380	1.660	0.140		0.6		80
90351240				4	3	1.380	1.660	0.140		0.6		80
90351250				5 - 8	3	1.380	1.660	0.140		0.6		80
90351515		1.5	x	1.5	3	1.610	1.900	0.145		0.7		50
90351520				2	3	1.610	1.900	0.145		0.7		50
90351525				2.5	3	1.610	1.900	0.145		0.7		50
90351530				3 - 4	3	1.610	1.900	0.145		0.7		50
90351540				4	3	1.610	1.900	0.145		0.7		50
90351550				5 - 8	3	1.610	1.900	0.145		0.7		50
90352020		2	x	2	3	2.067	2.375	0.154		1.0		30
90352025				2.5	3	2.067	2.375	0.154		1.0		30
90352030				3	3	2.067	2.375	0.154		0.9		30
90352040				4	3	2.067	2.375	0.154		0.9		30
90352060				6	3	2.067	2.375	0.154		0.9		30
90352080				8	3	2.067	2.375	0.154		0.9		30
90352525	90372525	2.5	x	2.5	3	2.469	2.635	0.203	0.120	1.5	1.0	20
90352530	90372530			3	3	2.469	2.635	0.203	0.120	1.5	1.0	20
90352540	90372540			4	3	2.469	2.635	0.203	0.120	1.5	1.0	20
90352560	90372560			6	3	2.469	2.635	0.203	0.120	1.5	1.0	20
90352580	90372580			8	3	2.469	2.635	0.203	0.120	1.4	1.0	20
90353030	90373030	3	x	3	3	3.068	3.260	0.216	0.120	2.0	1.2	15
90353040	90373040			4	3	3.068	3.260	0.216	0.120	2.0	1.2	15
90353060	90373060			6	3	3.068	3.260	0.216	0.120	1.9	1.2	15
90353080	90373080			8	3	3.068	3.260	0.216	0.120	1.9	1.2	15
90354040	90374040	4	x	4	4	4.026	4.260	0.237	0.120	4.0	2.1	10
90354060	90374060			6	4	4.026	4.260	0.237	0.120	3.8	2.1	10
90354080	90374080			8	4	4.026	4.260	0.237	0.120	3.8	2.1	10
90356060	90376060	6	x	6	4	6.065	6.357	0.280	0.134	8.0	3.8	4
90356080	90376080			8	4	6.065	6.357	0.280	0.134	8.0	3.8	4
90358080	90378080	8	x	8	4	7.981	8.329	0.322	0.148	10.0	6.2	2

319 Circle of Progress, Pottstown, Pennsylvania 19464-3811 USA Tel (610)676.0300 Fax (610)676.0383 [AegisTechnologiesInc.com](http://AegisTechnologiesInc.com)